

PS 27

Basic sensor for simple applications



Special features

- for positive and negative differential pressures
- little zero point drift or hysteresis; largely independent of temperature
- also for top-hat rail mounting
- Zero-point calibration can be run via an external signal
- switching contact with adjustable thresholds (optional)
- output signals selectable via jumper

measurement ranges (others available upon request)	$\pm 100/\pm 200/\pm 500$ Pa $\pm 1/\pm 2/\pm 5/\pm 10/\pm 20/\pm 50/\pm 100/\pm 200$ kPa
margin of error	2 % of end value
deflection drift / temperature	0,1% / K
zero point drift / temperature	0,1% / K
overload capacity	12x for measurement ranges ≤ 20 kPa 4x for measurement ranges ≤ 30 kPa
medium	air, all non-aggressive gases
max. system pressure	10 kPa for measurement ranges ≤ 10 kPa for measurement ranges 10 kPa max. nominal pressure of sensor
sensor response time	20 ms
time constants	20,30,60,120,240,480,960ms; 1,95,3,8s
operating temperature	+10 °C ... +60 °C
storage temperature	-10 °C ... +70 °C
power consumption	approx. 1 VA
weight	approx. 0,25 kg
cable glands	2 x M12
pressure ports	for hose \varnothing 4-6 mm
protection class	IP 65
testing	CE

Technical datas

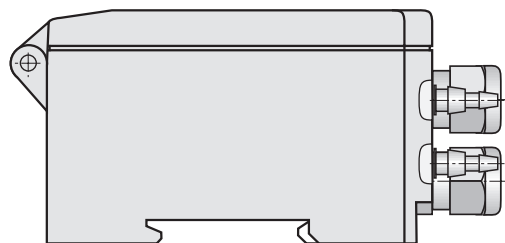
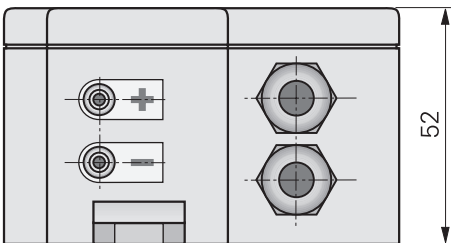
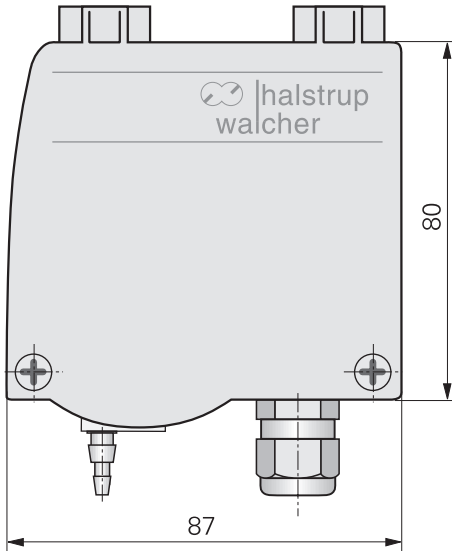
output signals	A
0 ... 10 V ($R_L \geq 50$ k Ω)	1
2 ... 10 V ($R_L \geq 50$ k Ω)	2
0 ... 20 mA ($R_L \leq 500$ Ω)	0
4 ... 20 mA ($R_L \leq 500$ Ω)	4
power supply	B
24 V AC/DC (without galvanic separation)	AC/DC
15 ... 32 VDC (two wire system)	ZWL
measurement range	C
measurement range (e. g. 0-100 Pa)	
contact point (not for two-wire system)	D
none	S
1 switch relay max. 230 VAC, 6A (min. required switching capacity 300mW)	1

Order key

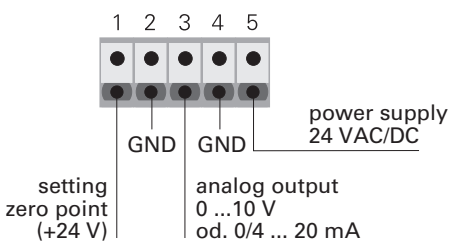
PS 27	-	A	-	B	-	C	-	D	-
accessories									
<input type="checkbox"/> DKD-calibration certificate, German									9601.-0003
<input type="checkbox"/> DKD-calibration certificate, English									9601.-0004
<input type="checkbox"/> factory calibration certificate									9601.-0002

PS 27

Dimension drawing



PS27 connection diagram



PS27 relay outputs

