



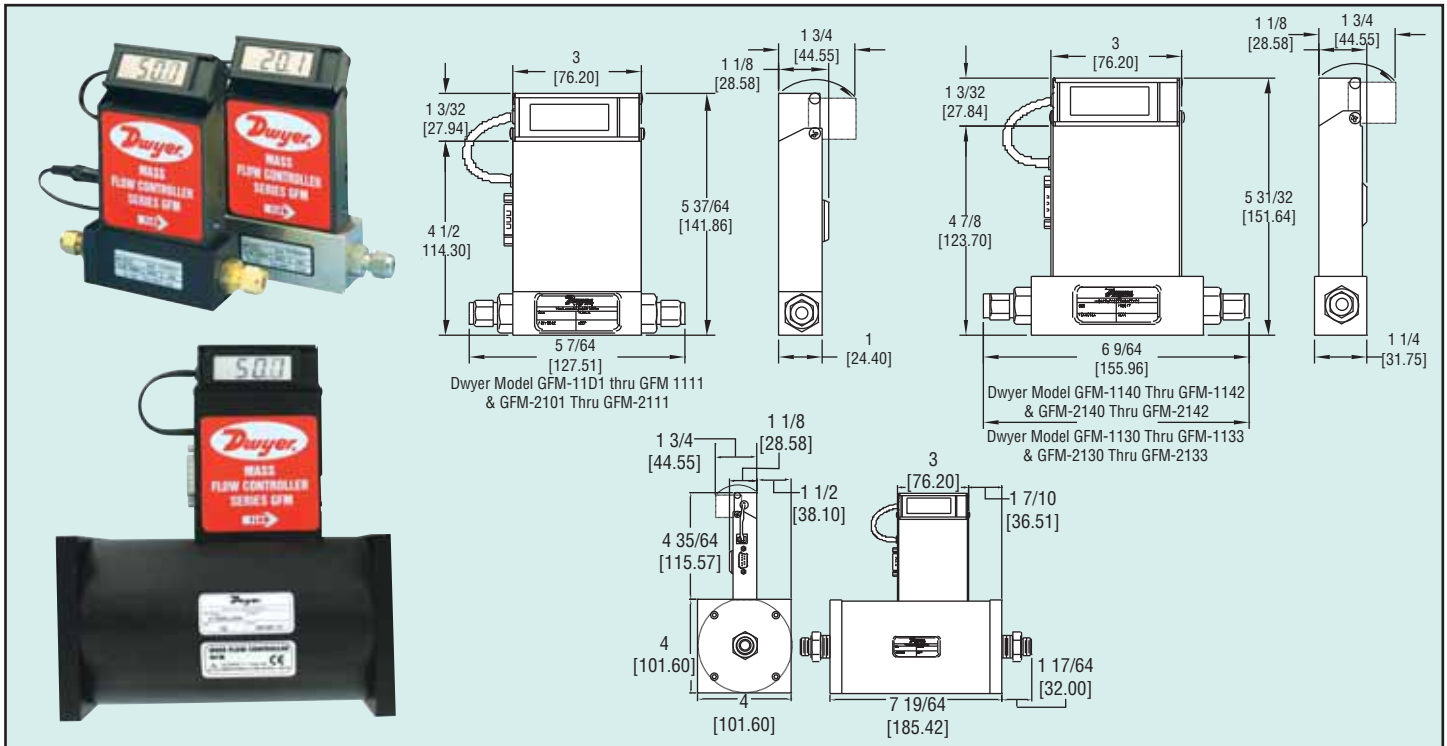
Series
GFM

Gas Mass Flow Meters

Flow Range Up to 1000 L/min, Pressures Up to 500 psi, NIST Traceable



Flow



Series GFM Gas Mass Flow Meters combine a straight tube sensor with a restrictor flow element to provide high accuracy and repeatability. Flow rates are virtually unaffected by temperature and pressure variations. Actual gas flow is displayed in engineering units on a 3-digit, 90° tiltable LCD readout. Units can be used with Series GFT Flow Totalizer for applications requiring totalization. Series GFM includes a NIST traceable certificate.

Flow Range	Meters		Process Connector Compression Fitting
	Aluminum	SS	
0-10 sccm	GFM-1101*	GFM-2101*	1/4"
0-20 sccm	GFM-1102*	GFM-2102*	1/4"
0-50 sccm	GFM-1103*	GFM-2103*	1/4"
0-100 sccm	GFM-1104*	GFM-2104*	1/4"
0-200 sccm	GFM-1105*	GFM-2105*	1/4"
0-500 sccm	GFM-1106*	GFM-2106*	1/4"
0-1 L/min	GFM-1107*	GFM-2107*	1/4"
0-2 L/min	GFM-1108*	GFM-2108*	1/4"
0-5 L/min	GFM-1109*	GFM-2109*	1/4"
0-15 L/min	GFM-1111*	GFM-2111*	1/4"
0-30 L/min	GFM-1131*	GFM-2131*	1/4"
0-50 L/min	GFM-1133*	GFM-2133*	1/4"
0-100 L/min	GFM-1142*	GFM-2142*	3/8"
0-200 L/min	GFM-1143*	GFM-2143*	3/8"
0-500 L/min	GFM-1144*	GFM-2144*	1/2"
0-1000 L/min	GFM-1145*	GFM-2145*	3/4"

*Specified flow ranges are for an equivalent flow of nitrogen at 70°F (21°C) @ 760 mm Hg.

SPECIFICATIONS

Service: Clean gases compatible with wetted parts.

Wetted Materials: GFM-1XXX: Anodized Aluminum, Brass, 316 SS and Fluoroelastomer O-rings; GFM-2XXX: 316 SS and Fluoroelastomer O-rings.

Accuracy: ±1.5% FS including linearity over 59 to 77°F (5 to 25°C) and 5 to 60 psia (0.35 to 4 bar).

Repeatability: ±0.5% of full scale.

Response Time: 2 seconds to within ±2% of actual flow.

Output: Linear 0-5 VDC and 4-20 mA.

Max. Particulate Size: 5 microns.

Temperature Limits: 32 to 122°F (0 to 50°C).

Power Supply: ±12 VDC.

Process Connections: 1/4" compression fitting for flow rates ≤50 L/m; 3/8" for 100 and 200 L/m; 1/2" for 500 L/min; 3/4" for 1000 L/min.

Pressure Limits: 500 psig (34.5 bar).

Leak Integrity: 1 x 10⁻⁷ sccs of Helium.

Display: 90° tiltable, 3-1/2 digit.

Agency Approvals: CE.

ACCESSORIES

For Series GFM Gas Mass Flowmeters

Model GFM-110P, 110V Power Supply

Model GFM-220PE, 220V Power Supply

Model GFM-CBL4, 3 ft cable for 4-20mA output

Model GFM-CBL5, 3 ft cable for 0-5 VDC output

Model IO-1, 0-5 VDC to RS232 Input to Output

Signal Conditioner

GFT-10, Flow Totalizer with 5-10 VDC input for direct connection to GFM and GFC (replaces GFM/GFC LCD Process display)

GFT-10C, Connection Cable for utilizing GFT-10 totalizer in conjunction with GFM/GFC LCD process display