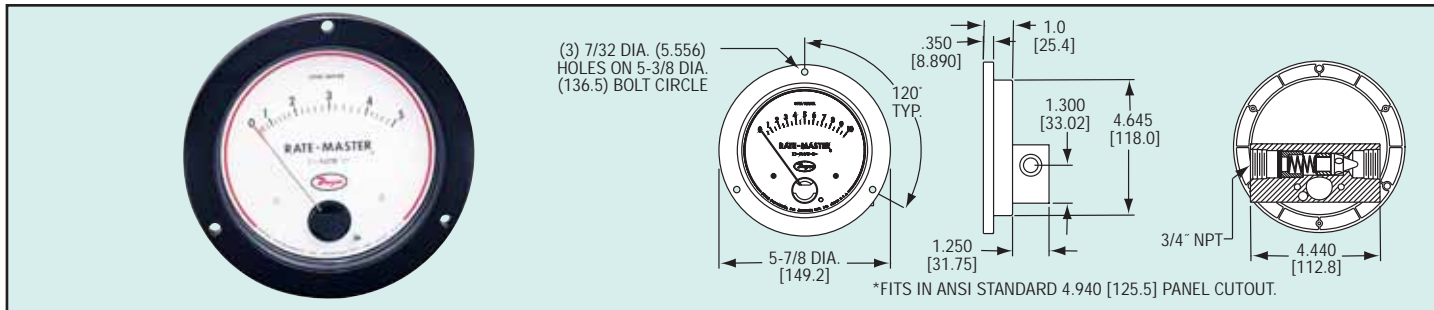




Series
RMV II

Rate-Master® Dial-Type Flowmeter

For Panel Mounting, Three Ranges to 10 GPM Water



Series RMV II Rate-Master® Flowmeters employ a target-type design combined with a damage resistant magnetic linkage to drive a pointer over an easy-to-read litho scale. This unique construction fully isolates flowing media from gage front for leakproof operation at pressures to 3000 psig (206.7 bar) with $\pm 5\%$ of full scale accuracy. Solid machined brass meter body is ideally suited for water flows. Body design fits standard 4 1/2" mounting hole layouts per ANSI B40.1. Inlet and outlet threads are standard 3/4" female NPT.

| Model Number | Range GPM Water | Range SCFM | Range LPM Air | Model Number | Range GPM Oil | Range SCFM | Range LPM Air | Range LPM Oil |
|--------------|-----------------|------------|---------------|--------------|---------------|------------|---------------|---------------|
| RMVII-1 | 0-3 | | | RMVII-12 | -- | 0-30 | 0-850 | |
| RMVII-3 | 0-5 | | | RMVII-14 | -- | 0-50 | 0-1400 | |
| RMVII-6 | 0-10 | | | RMVII-20 | 0-2.2 | -- | -- | 0-8 |
| RMVII-10 | -- | 0-10 | 0-280 | RMVII-21 | 0-4.0 | -- | -- | 0-15 |
| | | | | RMVII-22 | 0-8.5 | -- | -- | 0-32 |

SPECIFICATIONS

Service: Compatible gases & liquids & oils.

Wetted Materials: Brass, 302 SS, sintered barium ferrite, polyacetyl.

Temperature Limit: 200°F (93°C).

Pressure Limit: 3000 psig (206 bar).

Pressure Drop: 0-5 GPM: 3.2 psid; 0-10 GPM: 5.3 psid; 0-20 GPM: 10.4 psid.

Accuracy: $\pm 5\%$ of full scale.

Size: Diameter dial face 4.5" (114.3 mm).

Process Connections: 3/4" female NPT.

Weight: 2 lb, 14 oz (1.3 kg).